



LASER RADIAL OPEN

30 Nov – 02 Dec 2007

National Sailing Centre, Singapore

Organising Authority: Singapore Sailing Federation

NOTICE OF RACE

1 RULES

The regatta will be governed by the rules as defined in The Racing Rules of Sailing.

2 ADVERTISING

Advertising will be restricted to Category C.

3 ELIGIBILITY AND ENTRY

3.1 The regatta is open to all boats of the Laser Radial class.

3.2 A minimum of 6 entries is required to form an event.

3.3 All competitors must have at least SingaporeSailing Level 1 Proficiency certification.

3.4 Eligible boats may enter by completing the attached form and sending it, together with the required fee, to

Singapore Sailing Federation

1500 East Coast Parkway

National Sailing Centre

Singapore 468963

Tel: 6444 4555

Fax: 6448 0485

Website: www.sailing.org.sg

4 FEES

The entry fees (inclusive of GST) is non-refundable.

Class

Laser Radial \$21.40

5 SCHEDULE

- 5.1 30 Nov – 02 Dec 2007 Racing 1st warning signal at 1100 hrs
- 5.2 There will be no limit to the number of races per day.
- 5.3 Numeral pennant '1' flown on the finishing boat will indicate the last race for the day.
- 5.4 On the last day of the regatta no warning signal will be made after 1530hrs.

6 SAILING INSTRUCTIONS

The sailing instructions will be available at the National Sailing Centre.

7 VENUE

Attachment 1 shows the location of the racing area.

8 THE COURSES

The courses to be sailed will be trapezoid and/or windward/leeward courses as described in the sailing instructions.

9 PENALTY SYSTEM

- 9.1 Appendix P will apply with the following change:
On the first protest, if protested after she has finished, she will be given a scoring penalty of 6 points, without a hearing. If her score results in a score worse than DSQ, the penalty will be corresponding to DSQ.
- 9.2 Action taken under Appendix P will not be grounds for redress by a competitor.
- 9.3 Rule P2.3 will not apply and rule P2.2 is changed so that it will apply to any protest after the first one.

10 SCORING

- 10.1 A maximum of 10 races are scheduled. There will be a minimum number of 4 races to constitute a series.
- 10.2 When 6 or fewer races have been completed, a boat's series score will be the total of her race scores.
- 10.3 When 7 or more races have been completed, a boat's series score will be the total

of her scores excluding her worst score.

- 10.4 When 9 or more races have been completed, a boat's series score will be the total of her scores excluding her two worst scores.

11 RADIO COMMUNICATION

A boat shall neither make radio transmissions while racing nor receive radio communications not available to all boats. This restriction also applies to mobile telephones.

12 PRIZES

12.1 Laser Radial

Open Division

- Prizes will be awarded for up to 10% of fleet size

Ladies Division

- Prizes will be awarded for up to 10% of fleet size

Youth Division (16 years & below as at

- Prizes will be awarded for up to 10% of fleet size

13 DISCLAIMER OF LIABILITY

Competitors participate in the regatta entirely at their own risk, See RPS 4, Decision to Race. The organising authority will not accept any liability for material damage or personal injury or death sustained in conjunction with or prior to, during, or after the regatta.

14 INSURANCE

All competitors and boats are encouraged to have appropriate insurance coverage.



Laser Radial Open
30 Nov – 02 Dec 2007, National Sailing Centre
Entry Form

Attn: Singapore Sailing Federation
1500 East Coast Parkway
National Sailing Centre
Singapore 468963

Tel: +65 6444 4555
Fax: +65 6448 0485
Website: www.sailing.org.sg

Helm's Name: _____
(Enter full name)

School: _____

Home Addr: _____

Email: _____

NRIC: _____

Sail No: _____

Club: _____

Date of Birth: _____

Sex: _____

Tel No: _____

Mobile: _____

Entry Fees

The entry fees (inclusive of GST) is non-refundable:

Laser Radial \$21.40

Enclosed is S\$_____ being payment for the entry fee.

Declaration by competitor

I agree to be bound by The Racing Rules of Sailing; the Notice of Race; the Sailing Instructions; and any subsequent changes/addendum made the Organising Authority.

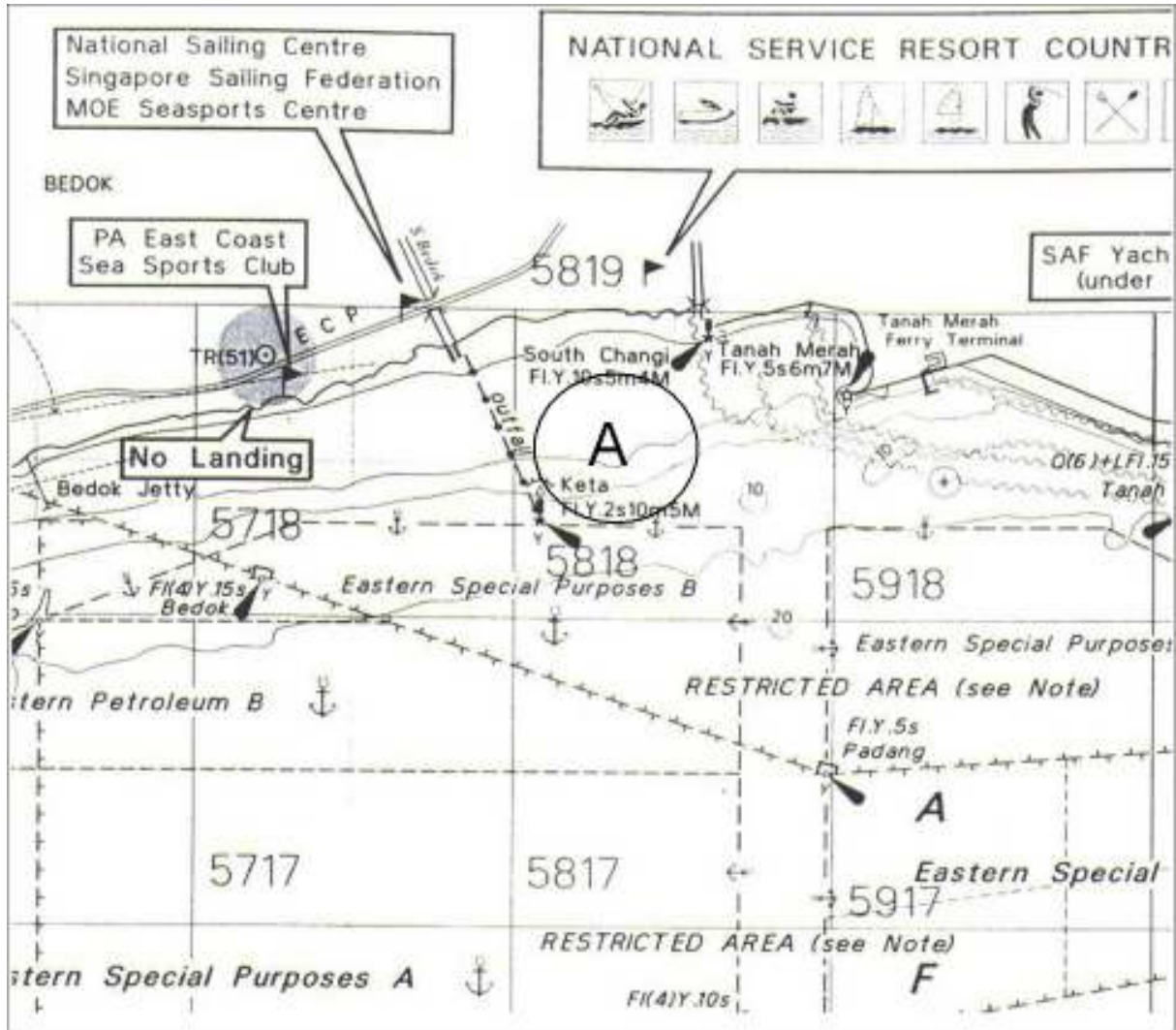
I hereby declare that I take part in the championship entirely at my own risk and I will not hold the Organising Authority and its officials and volunteers liable for any damage, loss or injury which may occur.

Helm's
Signature

Parent's Signature
(Required for sailors 21 years old & below)

ATTACHMENT 1

RACING AREAS



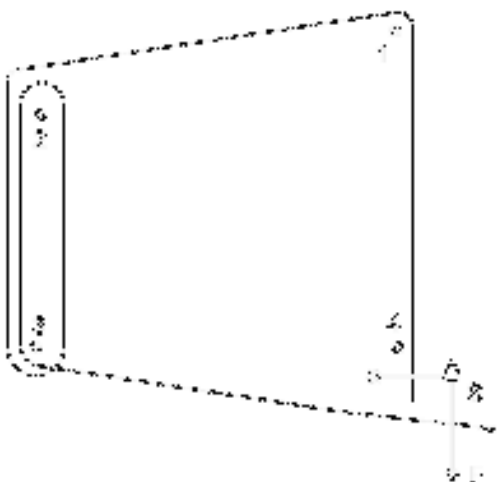
ATTACHMENT 2

COURSES

ALL COURSE AREAS

All marks to be left to port

Trapezoid Course



Trapezoid Courses (All marks to port)

Course Flag “I1” (Inner Loop – 1 lap)

Start, Mark 1, Mark 4, Mark 1, Mark 2, Mark 3, Finish

Course Flag “I2” (Inner Loop – 2 laps)

Start, Mark 1, Mark 4, Mark 1, Mark 4, Mark 1, Mark 2, Mark 3, Finish

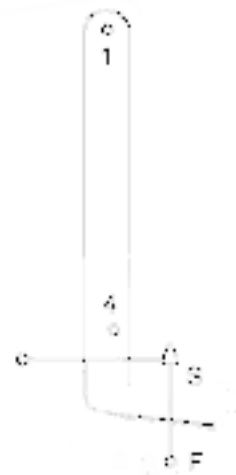
Course Flag “O1” (Outer Loop – 1 lap)

Start, Mark 1, Mark 2, Mark 3, Mark 2, Mark 3, Finish

Course Flag “O2” (Outer Loop – 2 laps)

Start, Mark 1, Mark 2, Mark 3, Mark 2, Mark 3, Mark 2, Mark 3, Finish

Windward / Leeward Course



Windward / Leeward Courses (All marks to port)

Course Flag “W1”

Start, Mark 1, Mark 4, Mark 1, Finish

Course Flag “W2”

Start, Mark 1, Mark 4, Mark 1, Mark 4, Mark 1, Finish